



INSTALLATION/USERS MANUAL



IMPORTANT: The installation and set up instructions should be carried out by a qualified technician.

IMPORTANT: It is important to refer to the wheelchair owner's manual for additional safety information related to the safe operation of the wheelchair.

TABLE OF CONTENTS

❶	Mounting hardware contents	3
❷	Tools required	3
❸	Important installation information.	4
❹	Installation Instructions	6
❺	Removing the backrest	10
❻	Removing the backrest cover for washing	10
❼	Installing pelvic/lumbar or lateral supports.	11
❽	Installing the head/neck support hardware	11

Complies with:

-ISO 16840-4 Wheelchair Seating - part 4: Seating Systems for use in motor vehicles.

-RESNA WC-4:2012 Section 20: Seating Systems for use in motor vehicles.

It is recompensed that a headrest be used when the back rest is used for transport in a motor vehicle.



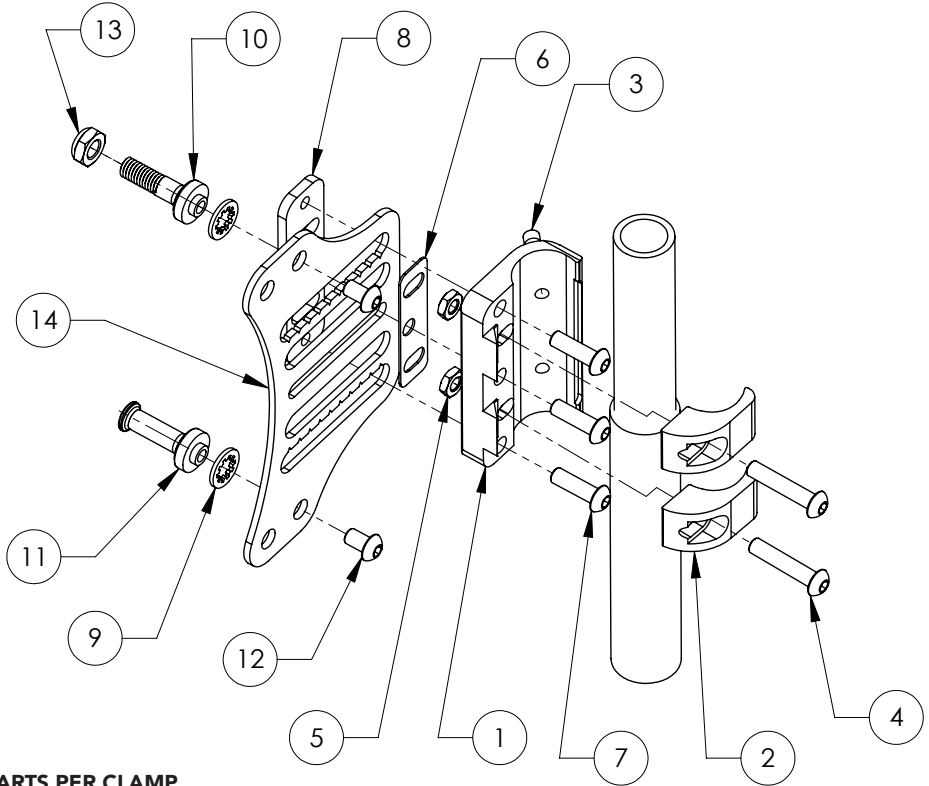
1422791 Ontario Ltd
Dynamic Health Care Solutions
753011 2nd Line, Mono ON L9W 2Z2, Canada



+519-942-8441 | www.DynamicHCS.com

1 MOUNTING HARDWARE CONTENTS

- 2 - Cane clamps
- 2 - Backrest mounting plates with pins
- 6 - Back angle and depth adjustment screws
- 2 - Back angle and depth locking plates
- 4 - Back cane clamp screws
- 4 - Back cane clamp nuts
- 2 - Back cane clamp nut retainer plates



PARTS PER CLAMP

ITEM	PART #	DESCRIPTION	QTY
1	NIB-0509	clamp - inner	1
2	NIB-0276	split clamp - outer	2
3	NIB-0501	hex socket set screw M6X6	1
4	NIB-0505	M6X30 SBHCS	2
5	NIB-0504	HJN M6	2
6	IB-0048	nut retainer plate	1
7	NIB-0506	M6X20 SBHCS	3
8	NIB-0507	clamp plate	1
9	IB-0193	5/16" internal toothed washer	2
10	NIB-0514	attaching post-threaded	1
11	NIB-0515	attaching post	1
12	NIB-0510	hex socket button head M6X10	2
13	NIB-0512	M8 HLN thin	1
14	NIB-0541	universal back mounting bracket	1

2 TOOLS REQUIRED

Wrenches – 10mm – 13mm

Allen keys – 4mm (5/32") – 3mm

ⓘ IMPORTANT INFORMATION: FOLLOW BEFORE INSTALLATION

WEIGHT CAPACITY: The weight capacity of the **nxt** Back is 300lbs – 136kg

Please note that the Quickfit mounting hardware on the **nxt** Back are pre-assembled with the cane clamp in the rear most mounting position to maximize seat depth of the wheelchair – see *Fig. 1* below.

The configuration can be changed by orienting the Quickfit cane clamp forward, providing a forward mounting position. See figure 2 below.

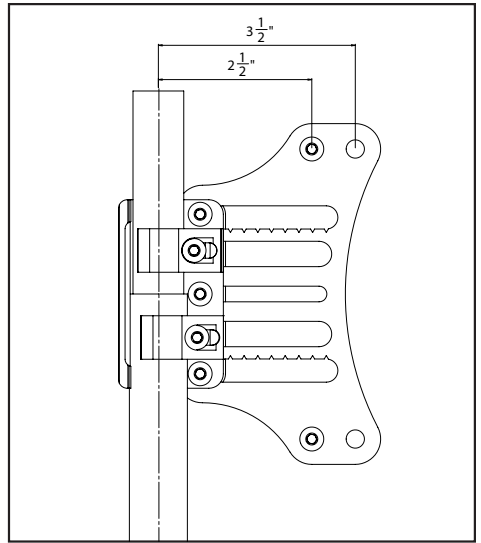
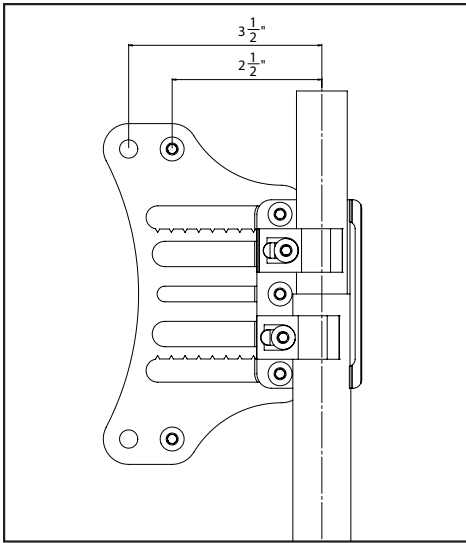
Note: The Quickfit mounting hardware provides 2.5"–6.4cm (3.5"–8.9cm on VC Back) of depth adjustment, in front of and behind the back canes.

To set the Quickfit mounting hardware in the forward most position:

- Remove the cane clamp from the mounting plate
- Rotate the cane clamp 180° and re-attach it to the mounting plate
- Install clamp as shown in *Fig. 2*

Fig. 1: Quickfit clamp in rearward most position.

Fig. 2: Quickfit clamp in forward most position.



Please Note: Setting the desired position of the **nxt** Back may compromise the stability of the wheelchair.

Be aware that the forward and aft position for the backrest will change the user's centre of gravity within the wheelchair. A back set in the most rearward position can significantly reduce the rearward stability of the wheelchair. In contrast, a more forward back position may reduce the wheelchair's forward stability.

⚠ IMPORTANT INFORMATION: READ BEFORE INSTALLATION

The Quickfit mounting hardware can accommodate different size back canes.

3/4"-19mm 7/8"-22mm and 1"-25mm back canes can be accommodated without inserts, see Fig. 3.

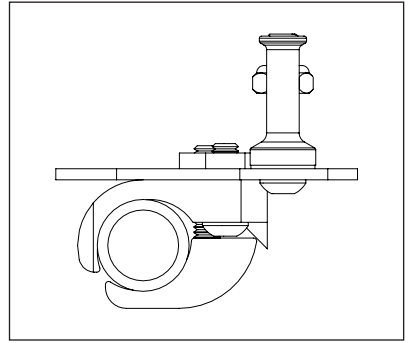
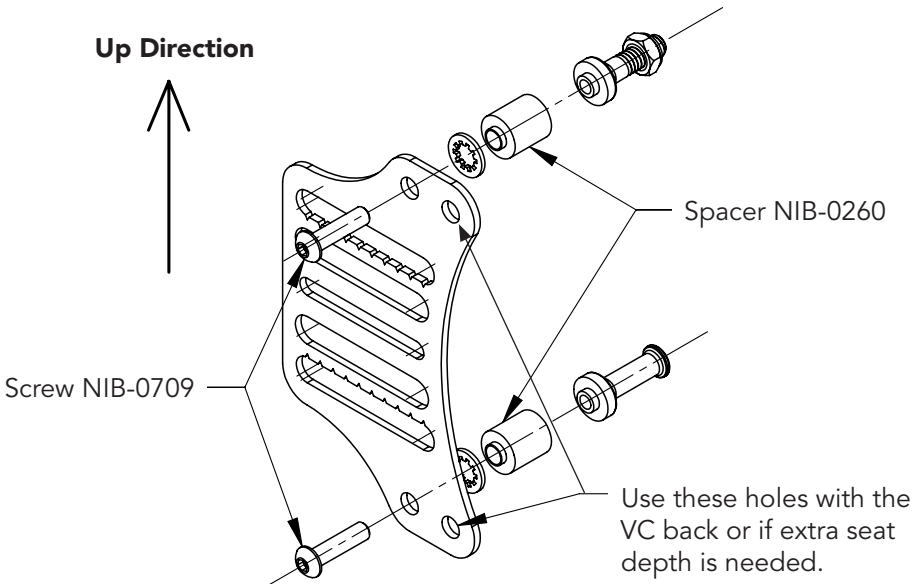


Fig. 3:

POST SPACER ATTACHMENT INSTALLATION

1. Using a 4mm (5/32") Allen Wrench remove the 2 button head screws.
2. Install the spacer between the lock washer and attachment post.
3. Install the new button head screw and tighten securely.
4. Do this to both attachment posts on the left and right side of back.



Left Side Assembly Shown

4 nxt BACK INSTALLATION INSTRUCTIONS

WARNING: DO NOT substitute hardware provided.
Use only high strength hardware provided.

1. Remove wheelchair back upholstery if applicable
2. Establish the desired mounting plate configuration for the user as described in section 3.
3. Loosen the two cane clamp screws and mount Quickfit bracket on the back canes.
4. Position the cane clamp at the height desired and tighten screws enough to hold it in place. Full tightening can be done when back is installed and final adjustments have been done.
5. The Multi-clamp cane mounting hardware can be installed where a smaller size tube is inserted into a larger tube (ie 3/4"–19mm inside a 1"–25mm tube). First tighten clamp around larger tube, then tighten set screw using a 5/32" Allen wrench until they touch the smaller diameter tube, holding the tube straight, then tighten clamp around smaller tube. See *Fig. 4* below.
6. Measure the height of the Quickfit clamp assembly from a fixed position on the wheelchair and install the second at the same desired height. Further, make sure the cane clamp mounting plates are mounted parallel with each other. See *Fig. 5* below.
7. All HA (Height Adjustable) Backs can be infinitely adjusted from 16"–40.6cm to 20"–50.8cm. Loosen the three cap screws with a 4mm Allen wrench on the rear of the backrest, set the backrest to the desired height and tighten the lock nuts into place. When the HA Back is in its lowest position, tuck the excess padding behind the seat cushion. See *Fig. 6* below.



Fig. 4: MultiClamp/Set Screws

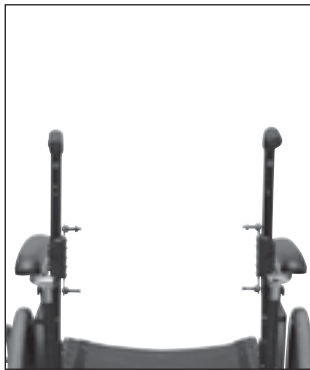


Fig. 5: Cane clamps must be installed at the same height and parallel to each other



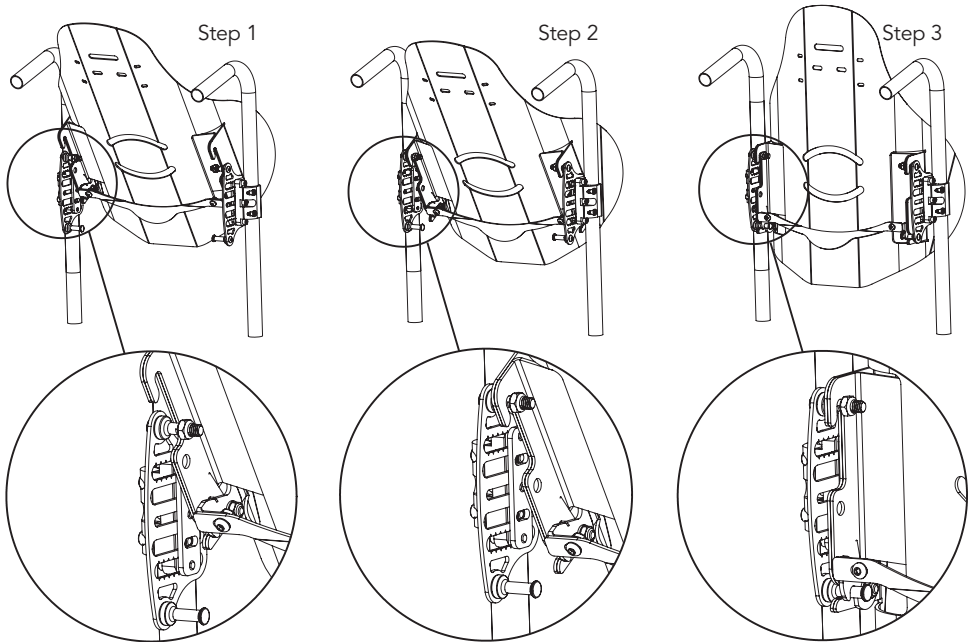
Fig. 6: Loosen 3 cap screws to adjust back height

4 **nxt** BACK INSTALLATION INSTRUCTIONS

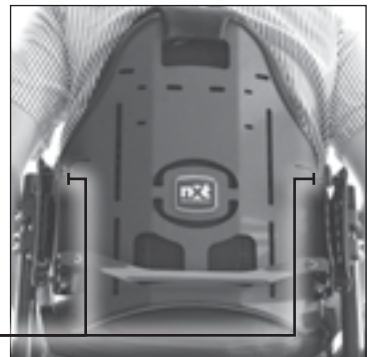
6. To install the backrest on the mounting plates:

Step 1. Insert the top of the backrest slot onto the top adjustment pins

Step 2. Rotate the lower section of the backrest rearward to lock it into the locking latch to secure the backrest in place.



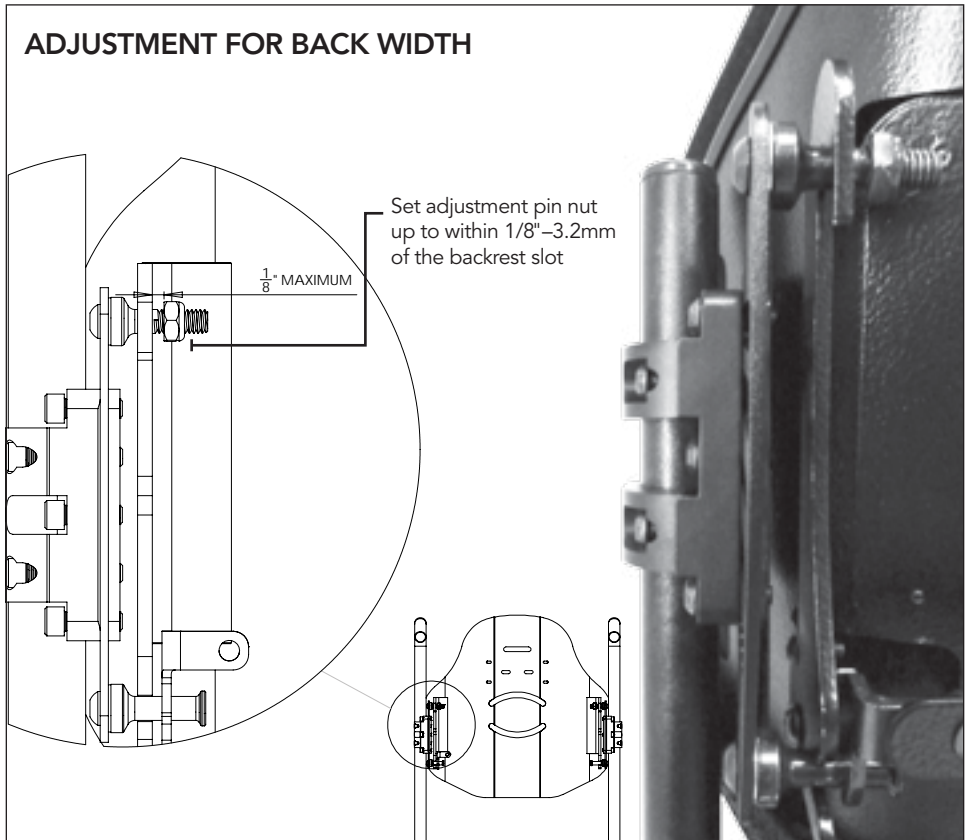
7. To ensure the backrest is properly fitted you may need to adjust the lock nuts on the top mounting pins. Due to variances between different wheelchair manufacturers, the lock nuts are adjustable. The lock nuts can be adjusted to allow installation onto a wheelchair which is 1"–25mm wider than the actual backrest. Mounting pin spacers allow the **nxt** Back to fit 3 sizes of chairs, (ie a 16"–40.6cm back can be mounted on a 16"–40.6cm, 17"–43.8cm or 18"–45.7cm wide wheelchair). Remove the existing pins, add the spacer in between the clamp plate and the pin and tighten into place with longer Allen screws provided, as shown in section 3. Mounting pin spacers are available on request when ordering the **nxt** Back.



Tighten lock nut allowing 1/8"–3.2mm of space between inner nut and back slot

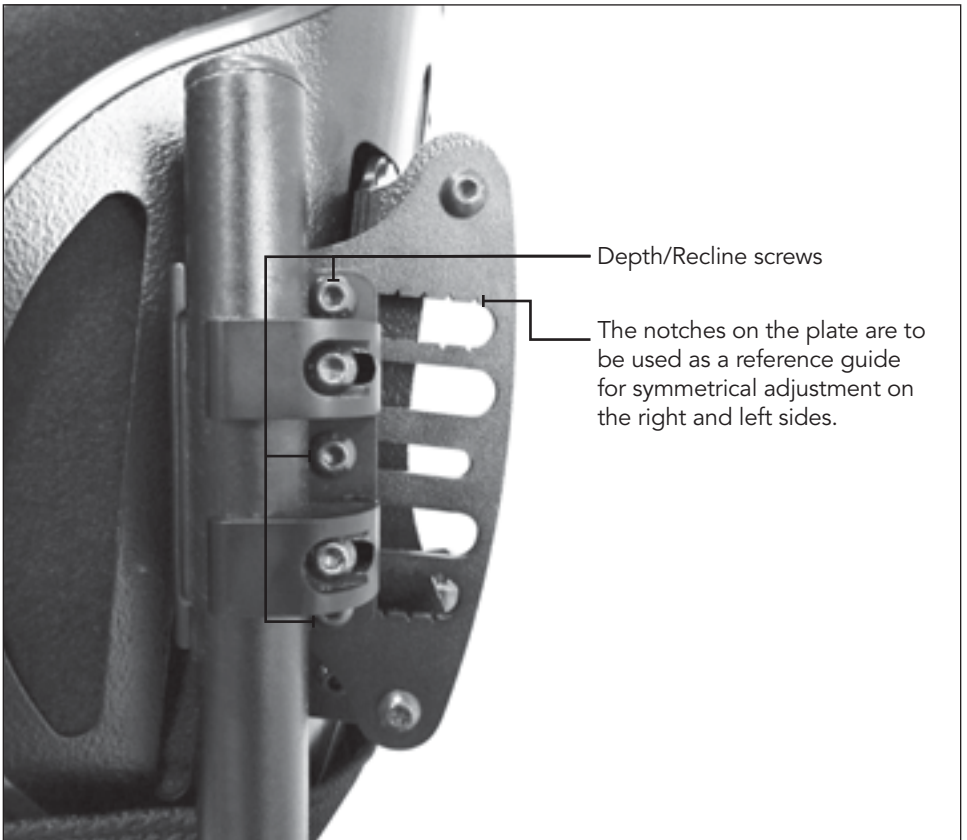
4 **nxt** BACK INSTALLATION INSTRUCTIONS

8. To adjust the lock nuts on the mounting pins refer to the instructions below.
 - a. Secure the backrest in place on the wheelchair and determine the amount of adjustment required for each lock nut. See diagram below.
 - b. Remove the backrest from the wheelchair and use a 13mm wrench to adjust the lock nuts.
 - c. To adjust the lock nuts, turn the nuts clockwise to shorten and counter clockwise to lengthen. For easy removal and installation of the backrest leave a minimum of 1/8"–3.2mm gap between the backrest mounting slot and the lock nut.



4 next BACK INSTALLATION INSTRUCTIONS

9. Make sure that the overall fit and alignment of the back is correct, if not make adjustments as required.
10. Secure the cane clamp screws onto each back cane.
11. Setting the best depth and recline settings it is best done with the client seated in the wheelchair. While the client is seated and supported in the wheelchair, loosen the depth screws on the mounting plate and set to the desired position. Tighten all screws to lock the backrest in position. The backrest can be mounted asymmetrically, so be sure that it is symmetrical if desired.



5 REMOVING THE BACKREST

To remove the backrest from the wheelchair

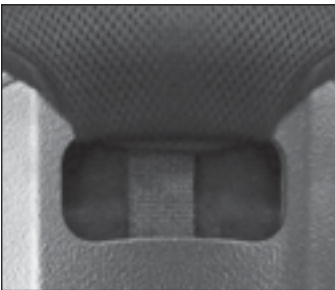
Step 1. Lift on the one hand release lever to release the latches, push the bottom of the back forward.

Step 2. Lift the backrest off the upper pins to remove completely.



6 REMOVING THE COVER FOR WASHING & CARE

1. Release the upholstery tab from the top rear of the backrest.
2. Release the hook Velcro from the bottom of the backrest shell, and remove the pad.
3. For light cleaning of the backrest fabric may be wiped down with a damp cloth.
4. Follow laundering instructions provided with the cover.



Release upholstery tab



Undo velcro closure & remove foam pad before washing outer cover

7 PELVIC/LUMBAR SUPPORTS & OPTIONAL LATERAL SUPPORTS

1. The Pelvic-lumbar support pads can be uniquely positioned to provide optimal pelvic positioning and lumbar support. The supports come uninstalled, allowing them to be specifically fit to the person at the time of the back installation. Fit as shown between fabric and inner shell of backrest. Hook Velcro on the front of the pelvic pad attached to the Velcro compatible fabric of the cover.
2. Where additional lateral support is required, optional lateral supports are available and provide additional lateral/hip support where needed. Fit pads between the fabric and the shell of the backrest.
3. After positioning support pads, seal velcro closure, reposition cover on the backrest shell, attach the upholstery clip and lock.



Pelvic-lumbar support pads



Lateral support pads

8 INSTALLING HEAD/NECK SUPPORTS

1. Attachment slots are stamped into the back shell for attaching after market head/neck rests.
2. An off set optional mounting plate is available to bring the headrest out from the shell further.



Pre stamped head/neck rest slots



Optional head/neck rest kit



WARRANTY POLICY

The **nxt** Seating Series Back Support has a Limited Warranty for 24 months from the date of delivery to the original purchaser. If any defect in material or workmanship is found, the manufacturer will repair or replace the component, at our discretion. This limited warranty does not cover daily wear and tear or damage that is a result of mishandling, misuse, neglect, or not following the care and maintenance instructions. Your Back Support cover is under warranty for 90 days. The warranty includes damage due to workmanship, material defects or errors caused by the manufacturer. This warranty does not apply to cigarette burns, damage to the cover by sharp objects that may cause tears, or damage as a result of not following the washing instructions. Claims and repairs should be processed through your nearest authorized Dealer. A copy of the invoice issued to the purchaser of the product may be required prior to processing a warranty claim.



By  **dynamic**
HEALTH CARE SOLUTIONS

Supplied By:



Medway House, 277 Gillingham Road,
Gillingham, Kent, ME7 4QX

Tel: 01634 578881

Fax: 01634 581456

Email: sales@rms-kent.co.uk