

# WHEELCHAIR SEAT FRAME CONFIGURATION for HD Models

QMF 52

Any other useful information:

.....

.....

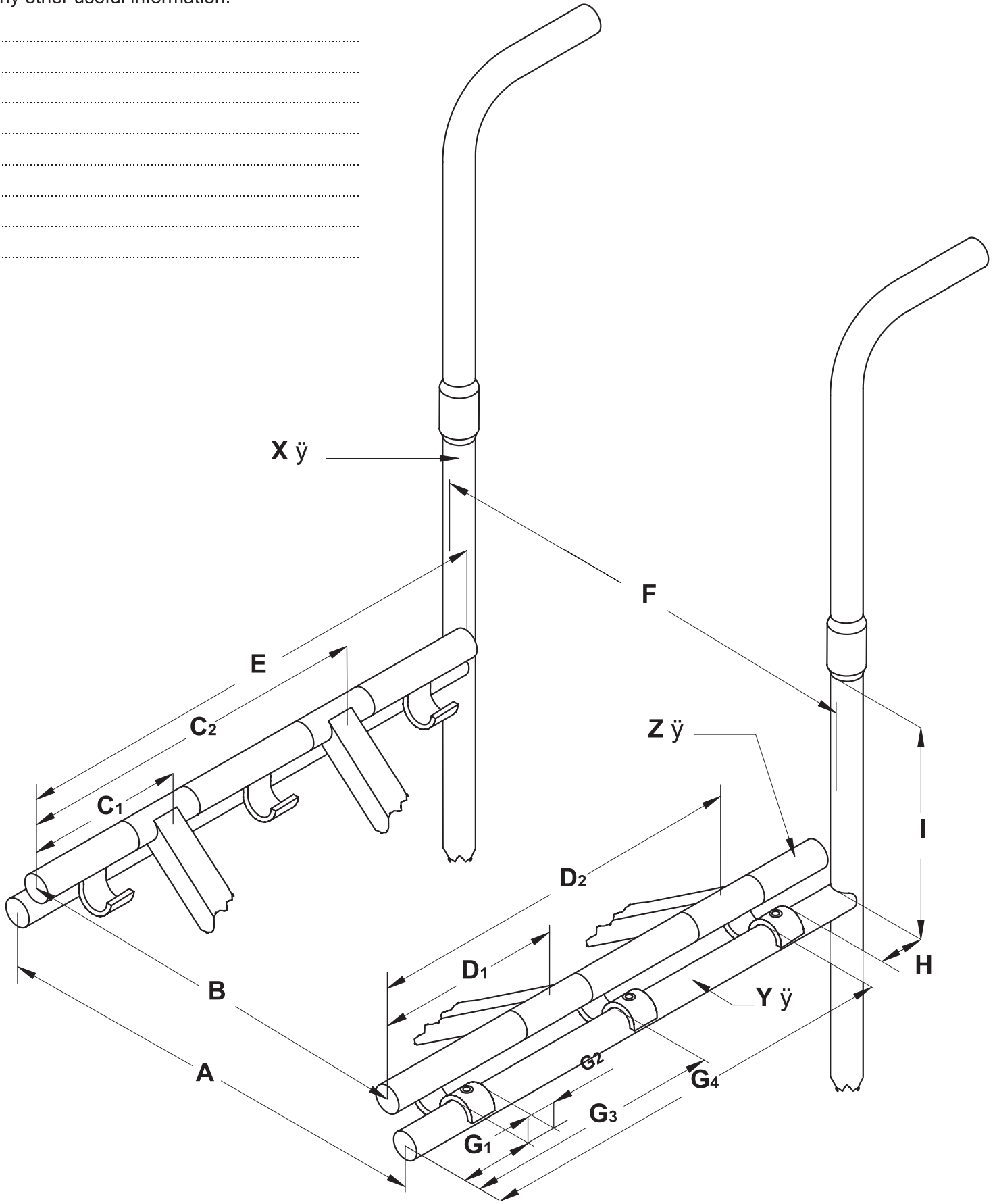
.....

.....

.....

.....

.....



A = ..... B = ..... C<sub>1</sub> = ..... C<sub>2</sub> = .....

D<sub>1</sub> = ..... D<sub>2</sub> = ..... E = ..... F = .....

G<sub>1</sub> = ..... G<sub>2</sub> = ..... G<sub>3</sub> = ..... G<sub>4</sub> = .....

H = ..... I = .....

X = ..... Y = ..... Z = .....

WHEELCHAIR MAKE: .....

MODEL: .....

SIZE: .....

COMPLETED BY: .....

DATE: .....