

# WHEELCHAIR SEAT FRAME CONFIGURATION

QMF 51

Any other useful information:

.....

.....

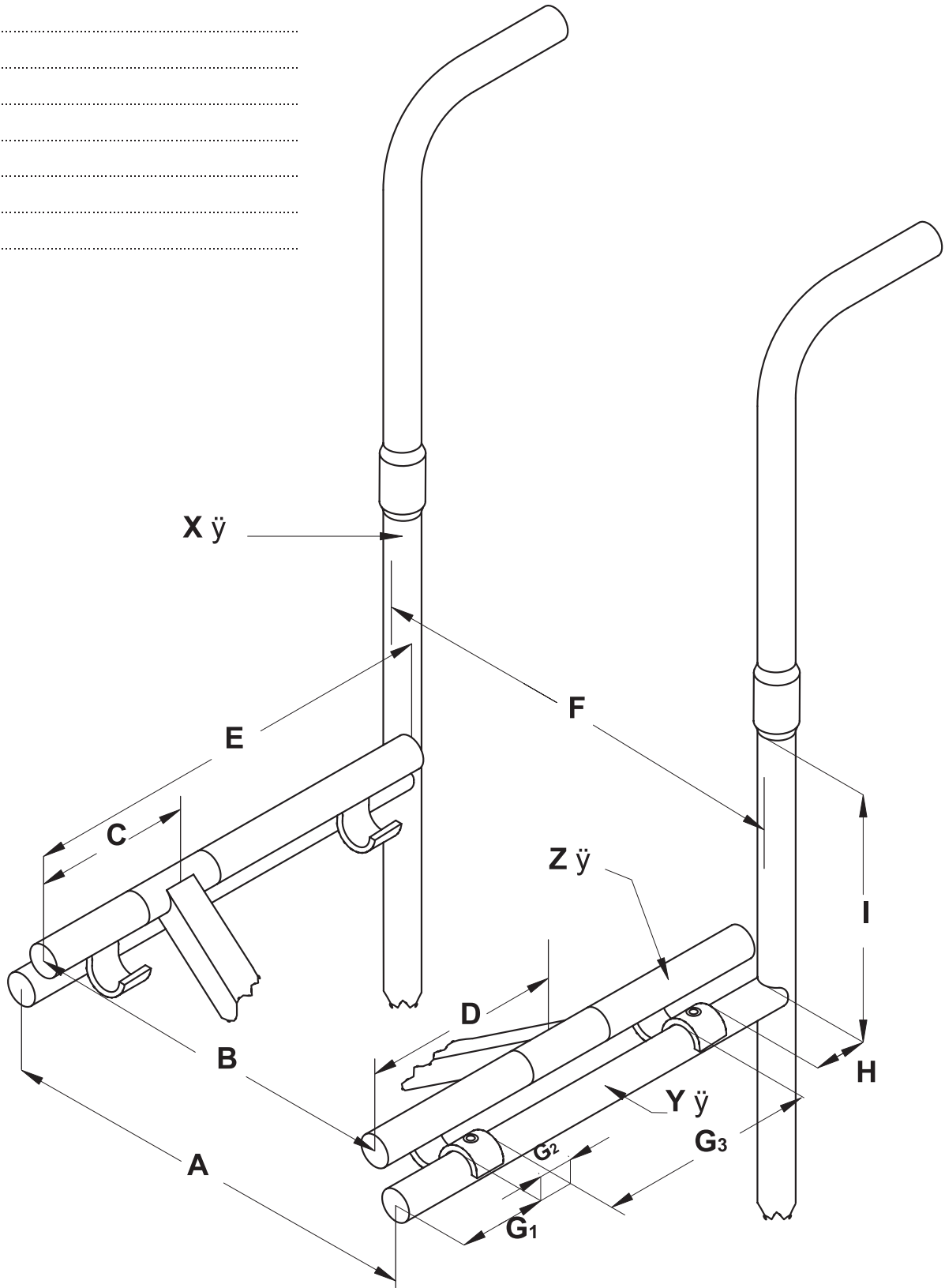
.....

.....

.....

.....

.....



A = ..... B = ..... C = .....  
 D = ..... E = ..... F = .....  
 G<sub>1</sub> = ..... G<sub>2</sub> = ..... G<sub>3</sub> = .....  
 H = ..... I = .....  
 X = ..... Y = ..... Z = .....

WHEELCHAIR MAKE: .....  
 MODEL: .....  
 SIZE: .....  
 COMPLETED BY: .....  
 DATE: .....